

DUCATO

TECHNICAL SPECIFICATIONS



Trim levels of models and options may vary due to specific market or legal requirements. The data, descriptions and illustrations contained in this brochure are for illustrative purposes and are valid at the date of publication (09/2021). Some equipment described and/or illustrated in this brochure is optional. Refer to the price list for full information. Fiat Professional may change the models described in this brochure at any time for technical or commercial reasons.
Fiat Marketing 02.3.0000.08 - S - 09/2021 - Printed in Italy - XX.
Printed on chlorine-free paper.

Edition: September 2021.

www.fiatprofessional.com



CONVERSION VEHICLES



INDEX

CHASSIS CAB

WHEELBASE 3000

CHASSIS CAB	page 8
MAXI CHASSIS CAB	10
CHASSIS CAB WITH PLATFORM	12
MAXI CHASSIS CAB WITH PLATFORM	14

WHEELBASE 3450

CHASSIS CAB	page 8
MAXI CHASSIS CAB	10
CHASSIS CAB WITH PLATFORM	12
MAXI CHASSIS CAB WITH PLATFORM	14
CHASSIS CREW CAB	14
MAXI CHASSIS CREW CAB	15

WHEELBASE 3800

CHASSIS CAB	page 8
MAXI CHASSIS CAB	10

WHEELBASE 4035

CHASSIS CAB	page 9
MAXI CHASSIS CAB	11
CHASSIS CAB WITH PLATFORM	13
MAXI CHASSIS CAB WITH PLATFORM	15
CHASSIS CREW CAB	14
MAXI CHASSIS CREW CAB	15

WHEELBASE 4035 XL

CHASSIS CAB	page 9
MAXI CHASSIS CAB	11
CHASSIS CAB WITH PLATFORM	13
MAXI CHASSIS CAB WITH PLATFORM	15
CHASSIS CREW CAB	14
MAXI CHASSIS CREW CAB	15

WHEELBASE 4300

CHASSIS CAB	page 6-7
MAXI CHASSIS CAB	11

Complete the line-up the Motor Cab versions available with 3300 and 4250 (Maxi) GVW.

GENERAL NOTES AND CO₂ INFORMATION

All data (e.g. kerb weight, payload, fuel consumption, CO₂ emissions etc.) are referred to standard version without optional equipment. Payload data include driver's weight.

The CO₂ emission and fuel consumption values are defined based on official tests, in conformity with the provisions of the EU Regulations in force at the time of homologation. In particular, the indicated values are calculated based on the WLTP test procedure.

The CO₂ and fuel consumption values are hereby indicated as to allow the comparison of vehicle data.

The homologation values of CO₂ and fuel consumption may not reflect the actual values of CO₂ and fuel consumption, which depend on many factors related, by way of example but not limitation, to the driving style, the route, the weather and road conditions, the condition, use and equipment of the vehicle.

The indicated value of CO₂ and fuel consumption refers to the versions of the vehicle with the highest and the lowest values. Those values may change with the subsequent configuration depending on equipment selected and/or size of tires selected.

The indicated values of CO₂ and fuel consumption are not definitive and may evolve as a result of changes in the production cycle; more up-to-date values will be available at the selected official dealer of the Fiat Professional network.

In any case, the official values of CO₂ and fuel consumption of the vehicle purchased by the customer will be provided with the documents accompanying the vehicle. In cases where the values of CO₂ and fuel consumption are relevant for the purposes of calculating taxes and duties related to the vehicle, reference should be made to the applicable laws in each country.

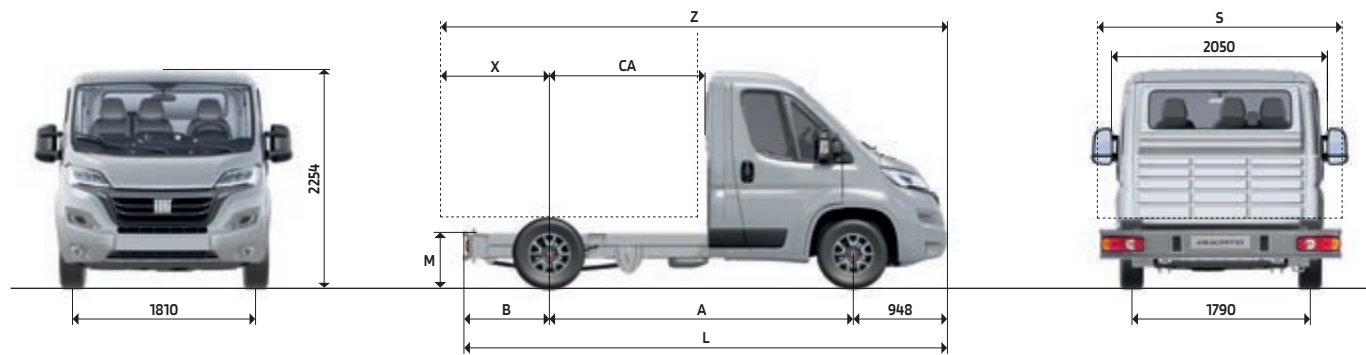
Vehicles type-approved in category N2 are limited to 90 km/h.

TECHNICAL SPECIFICATIONS

DUCATO CHASSIS CAB

ENGINE	120 MULTIJET ₃	140 MULTIJET ₃	160 MULTIJET ₃ POWER	180 MULTIJET ₃ POWER
No. of cylinders, layout	4, in line	4, in line	4, in line	4, in line
Displacement in cc (bore x stroke in mm)	2184 (83,8 x 99)	2287	2184 (83,8 x 99)	2184 (83,8 x 99)
Compression ratio	15.7:1	16.2:1	15.7:1	15.7:1
Max power output (EEC): kW (HP) / rpm	88 (120) / 3500	103 (140) / 3600	118 (160) / 3500	132 (180) / 3500
Max torque output (EEC): Nm / rpm (with AT9)	320 / 1400-2500	350 / 1400-2500 (380 / 1400-2250)	380 / 1500-2500 (400 / 1500-2250)	380 / 1500-3000 (450 / 1500-1750)
Emission standard level	Euro 6d-final	Euro 6d-final / Euro VI-E	Euro 6d-final / Euro VI-E	Euro 6d-final / Euro VI-E
Timing system (control)	DOHC (toothed belt)	DOHC (toothed belt)	DOHC (toothed belt)	DOHC (toothed belt)
Supply	electronically controlled Common Rail MultiJet ₃ direct injection with variable geometry turbocharger and intercooler	electronically controlled Common Rail MultiJet ₃ direct injection with variable geometry turbocharger and intercooler	electronically controlled Common Rail MultiJet ₃ direct injection with variable geometry turbocharger and intercooler	electronically controlled Common Rail MultiJet ₃ direct injection with variable geometry turbocharger and intercooler
Ignition	by compression	by compression	by compression	by compression
Transmission				
Drive	front	front	front	front
Clutch	dry single plate with hydraulic release device	dry single plate with hydraulic release device	torque converter	dry single plate with hydraulic release device
Gearbox: no. of gears	manual, 6 + R	manual, 6 + R	automatic, 9 + R with manual upshift / downshift functionality 3 drive modes available (normal / eco / power)	manual, 6 + R
Gearbox ratios	manual	manual	automatic	manual
Reduction ratios 1 st	1:4.154	1:4.154	1:4.710	1:4.273
2 nd	1:2.118	1:2.118	1:2.840	1:2.421
3 rd	1:1.361	1:1.361	1:1.910	1:1.462
4 th	1:0.978	1:0.978	1:1.380	1:1.047
5 th	1:0.756	1:0.756	1:1.000	1:0.786
6 th	1:0.622	1:0.622	1:0.810	1:0.625
7 th	-	-	1:0.700	-
8 th	-	-	1:0.580	-
9 th	-	-	1:0.480	-
R	1:4.000	1:4.000	1:3.830	1:4.182
Final drive ratio	1:4.867	1:4.867	1:4.585	1:4.222
Steering				
Type	electric rack and pinion power steering, with steering effort and energy consumption adaptation to vehicle speed			
Turning circle (kerb-to-kerb)	short wheelbase 11,1 m - medium wheelbase 12,5 m - medium-long wheelbase 13,6 m - long wheelbase 14,3 m - long wheelbase with extra overhang 15,3 m			
Braking system - D (disc)				
Type	dual H-I circuit, front and rear disc brakes, ABS with electronic brake force distribution			
Front: Ø mm	28q-30q: 280x24 self-ventilating 33q-35q: 280x28 self-ventilating	30q: 280x24 self-ventilating 33q-35q: 280x28 self-ventilating MAXI 35q-42,5q: 300x32 self-ventilating	30q: 280x28 self-ventilating 33q-35q-MAXI 35q-42,5q: 300x32 self-ventilating	30q: 280x24 self-ventilating 33q-35q: 280x28 self-ventilating MAXI 35q-42,5q: 300x32 self-ventilating
Rear: Ø mm	28q-30q-33q-35q: 280x16	30q-33q-35q-MAXI 35q: 280x16 MAXI 42,5q: 300x22	30q-33q-35q: 280x16 MAXI 35q-42,5q: 300x22	30q-33q-35q: 280x16 MAXI 35q-42,5q: 300x22
Brake servo: Ø	28q-30q-33q-35q: 11"	30q-33q-35q-MAXI 35q: 11" MAXI 42,5q: 10" + 10" tandem	30q-33q-35q: 11" MAXI 42,5q: 10" + 10" tandem	30q-33q-35q: 11" MAXI 42,5q: 10" + 10" tandem
Suspension				
Front standard configuration	independent, MacPherson type with wishbones, coil springs, telescopic shock absorbers and anti-roll bar			
Rear standard configuration	rigid tubular axle with parabolic longitudinal leaf springs, telescopic shock absorbers and flexible side buffers			
Maximum permitted weight on front axle (kg)	28q: 1630kg - 30q: 1660kg - 33q: 1800kg - 35q: 1880kg	30q: 1660kg - 33q: 1800kg - 35q: 1880kg MAXI 35q-42,5q: 2100 kg	30q: 1660kg - 33q: 1840kg - 35q: 1960kg	30q: 1660kg - 33q: 1800kg - 35q: 1880kg 30q: 1660kg - 33q: 1840kg - 35q: 1960kg
Maximum permitted weight on rear axle (kg)	28q-30q: 1650kg - 33q: 1900kg - 35q: 2000kg	30q: 1650kg - 33q: 1900kg - 35q: 2000kg MAXI 35q-42,5q: 2400 kg	30q: 1650kg - 33q: 1900kg - 35q: 2000kg MAXI 35q-42,5q: 2400 kg	33q: 1800kg - 35q: 1880kg MAXI 35q-42,5q: 2100 kg 33q: 1900kg - 35q: 2000kg MAXI 35q-42,5q: 2400 kg
Wheels				
Tyres	manual: 28q-30q-33q-35q 215/70 R 15 C (215/75 R 16 C optional, 225/70 R 15 C all season optional) - MAXI 35q 215/75 R 16 C - MAXI 42,5q 225/75 R 16 C (225/75 R 16 C all season optional) automatic: 30q 215/70 R 15 C (225/70 R 15 C all season optional) - 33q-35q-MAXI 35q 215/75 R 16 C MAXI 42,5q 225/75 R 16 C (225/75 R 16 C all season optional)			
Electrical system (12V)				
Battery capacity	105 Ah (L6)			
Alternator	220 A (LIN) high efficiency			
Stop&Start System with ECO function	standard on all range			
Weights - Capacities				
Max. towable weight (braked) (kg)	28q: 2000 30q-33q-35q: 2500	30q-33q-35q: 2500 35q MAXI: 3000 42,5q MAXI: 2250	30q-33q-35q: 2500 35q MAXI: 3000 42,5q MAXI: 2250	30q-33q-35q: 2500 35q MAXI: 3000 42,5q MAXI: 2250
Diesel fuel tank capacity (litres)	90 on all range except for Combi short wheelbase 60 on Combi short wheelbase reduced capacity of 75 and 60 available as option			
AdBlue fuel tank capacity (litres)	19			

CHASSIS CAB



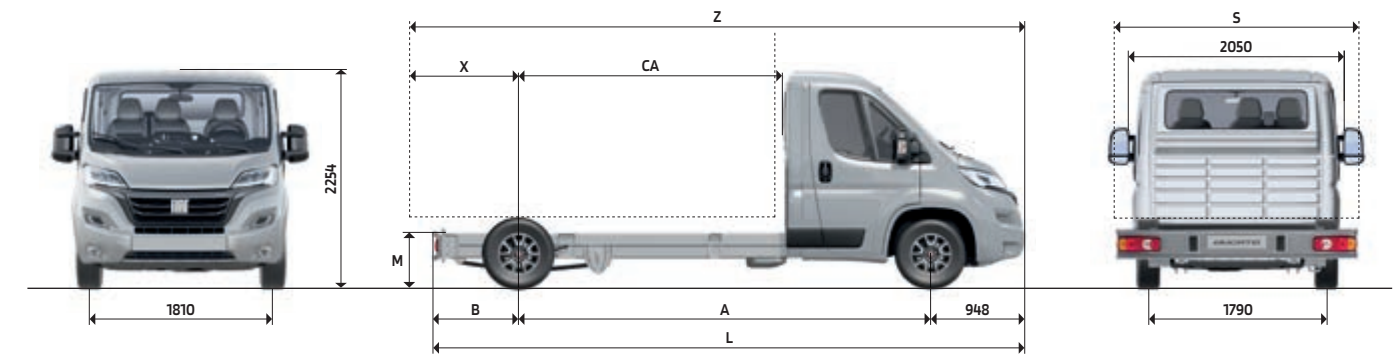
DIMENSIONS mm	CHASSIS CAB 33			CHASSIS CAB 35		
A Wheelbase	3000	3450	3800	3000	3450	3800
L Maximum length	4908	5358	5708	4908	5358	5708
Maximum width	2050	2050	2050	2050	2050	2050
Front track	1810	1810	1810	1810	1810	1810
Rear track	1790	1790	1790	1790	1790	1790
H Maximum height (unladen)	2254	2254	2254	2254	2254	2254
Front overhang	948	948	948	948	948	948
B Rear overhang	960	960	960	960	960	960
M Chassis height (unladen)	650	650	650	650	650	650
X Rear axle span at the level of the bodywork (finished trim overhang limit)	1800	2070	2280	1800	2070	2280
CA Rear cab span on rear axle	1610	2060	2410	1610	2060	2410
S Max. chassis width [■]	2350	2350	2350	2350	2350	2350
Z Max. length with outfit	5748	6468	7028	5748	6468	7028
Max. permitted weight on front axle (kg)	1750			1850		
Max. permitted weight on rear axle (kg)	1900			2000		

WHEELBASE 3000 mm	CHASSIS CAB 33			CHASSIS CAB 35		
Engine Multijets (hp)	120	140	120	140	160	180
Model version	290.4CM	290.4CN	290.9CM	290.9CN	290.9CQ	290.9CS
GVW (kg)	3300	3300	3500	3500	3500	3500
Kerb weight (kg)	1675	1675	1675	1675	1690	1690
Model version		290.4CP		290.9CP	290.9CR	290.9CT
GVW (kg)		3300		3500	3500	3500
Kerb weight (kg)		1685		1685	1700	1700

WHEELBASE 3450 mm	CHASSIS CAB 33			CHASSIS CAB 35		
Engine Multijets (hp)	120	140	120	140	160	180
Model version	290.5CM	290.5CN	290.9CM	290.9CN	290.9CQ	290.9CS
GVW (kg)	3300	3300	3500	3500	3500	3500
Kerb weight (kg)	1715	1715	1715	1715	1730	1730
Model version		290.5CP		290.9CP	290.9CR	290.9CT
GVW (kg)		3300		3500	3500	3500
Kerb weight (kg)		1770		1770	1770	1770

WHEELBASE 3800 mm	CHASSIS CAB 33			CHASSIS CAB 35		
Engine Multijets (hp)	120	140	120	140	160	180
Model version	290.KCM	290.KCN	290.LCM	290.LCN	290.LCQ	290.LCS
GVW (kg)	3300	3300	3500	3500	3500	3500
Kerb weight (kg)	1725	1725	1725	1725	1740	1740
Model version		290.KCP		290.LCP	290.LCR	290.LCT
GVW (kg)		3300		3500	3500	3500
Kerb weight (kg)		1780		1780	1780	1780

Note: Kerb weight is referred to standard version without optional equipment
 ■ Linked to door mirrors opt. 042 – 2200 mm with opt. 036 – 2100 mm with standard door mirrors



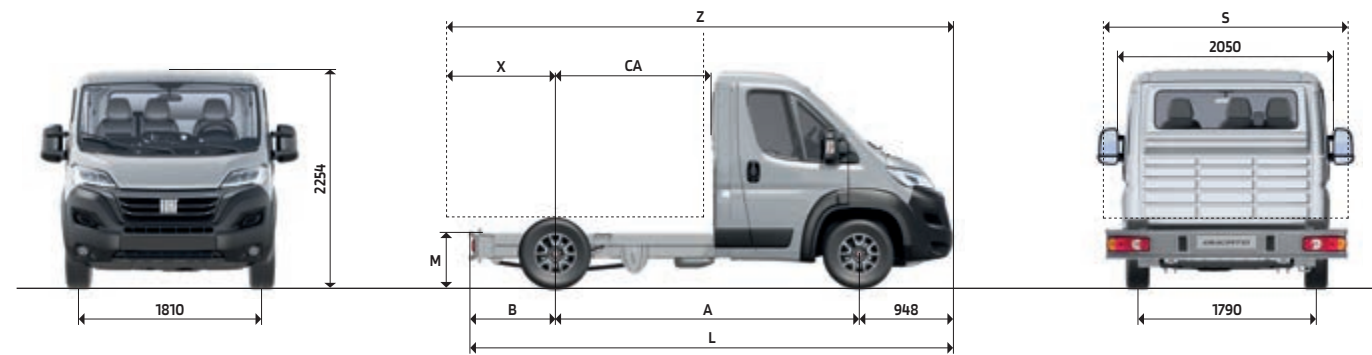
DIMENSIONS mm	CHASSIS CAB 33		CHASSIS CAB 35	
A Wheelbase	4035	4035 XL	4035	4035 XL
L Maximum length	5943	6308	5943	6308
Maximum width	2050	2050	2050	2050
Front track	1810	1810	1810	1810
Rear track	1790	1790	1790	1790
H Maximum height (unladen)	2254	2254	2254	2254
Front overhang	948	948	948	948
B Rear overhang	960	1325	960	1325
M Chassis height (unladen)	650	650	650	650
X Rear axle span at the level of the bodywork (finished trim overhang limit)	2400	2400	2400	2400
CA Rear cab span on rear axle	2645	2645	2645	2645
S Max. chassis width [■]	2350	2350	2350	2350
Z Max. length with outfit	7383	7383	7383	7383
Max. permitted weight on front axle (kg)	1750		1850	
Max. permitted weight on rear axle (kg)	1900		2000	

WHEELBASE 4035 mm	CHASSIS CAB 33			CHASSIS CAB 35		
Engine Multijets (hp)	120	140	120	140	160	180
Model version	290.6CM	290.6CN	290.9CM	290.9CN	290.9CQ	290.9CS
GVW (kg)	3300	3300	3500	3500	3500	3500
Kerb weight (kg)	1735	1735	1735	1735	1750	1750
Model version		290.6CP		290.9CP	290.9CR	290.9CT
GVW (kg)		3300		3500	3500	3500
Kerb weight (kg)		1790		1790	1790	1790

WHEELBASE 4035 mm XL	CHASSIS CAB 35				
Engine Multijets (hp)	120	140	160	180	180
Model version	290.CCM	290.CCN	290.CCQ	290.CCS	290.CCS
GVW (kg)	3500	3500	3500	3500	3500
Kerb weight (kg)	1750	1750	1765	1765	1765
Model version		290.CCP	290.CCR	290.CCT	290.CCT
GVW (kg)		3500	3500	3500	3500
Kerb weight (kg)		1805	1805	1805	1805

Note: Kerb weight is referred to standard version without optional equipment
 ■ Linked to door mirrors opt. 042 – 2200 mm with opt. 036 – 2100 mm with standard door mirrors

MAXI CHASSIS CAB



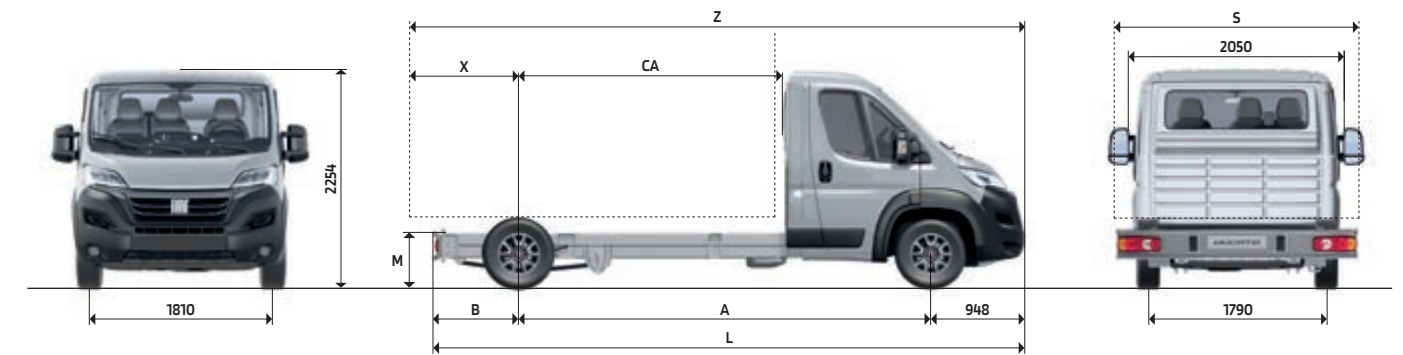
DIMENSIONS mm	MAXI CHASSIS CAB 35			MAXI CHASSIS CAB 40		
A Wheelbase	3000	3450	3800	3450	3800	
L Maximum length	4908	5358	5708	5358	5708	
Maximum width	2050	2050	2050	2050	2050	
Front track	1810	1810	1810	1810	1810	
Rear track	1790	1790	1790	1790	1790	
H Maximum height (unladen)	2254	2254	2254	2254	2254	
Front overhang	948	948	948	948	948	
B Rear overhang	960	960	960	960	960	
M Chassis height (unladen)	650	650	650	650	650	
X Rear axle span at the level of the bodywork (finished trim overhang limit)	1800	2070	2280	2070	2280	
CA Rear cab span on rear axle	1610	2060	2410	2060	2410	
S Max. chassis width [■]	2350	2350	2350	2350	2350	
Z Max. length with outfit	5748	6468	7028	6468	7028	
Max. permitted weight on front axle (kg)	2100			2100		
Max. permitted weight on rear axle (kg)	2400 [●]			2400 [●]		

WHEELBASE 3000 mm	MAXI CHASSIS CAB 35		
Engine Multijets (hp)	140	160	180
Model version	295.9CN	295.9CQ	295.9CS
GVW (kg)	3500	3500	3500
Kerb weight (kg)	1725	1740	1740
Model version	295.9CP	295.9CR	295.9CT
GVW (kg)	3500	3500	3500
Kerb weight (kg)	1740	1740	1740

WHEELBASE 3450 mm	MAXI CHASSIS CAB 35			MAXI CHASSIS CAB 40		
Engine Multijets (hp)	140	160	180	140	160	180
Model version	295.ACN	295.ACQ	295.ACS	295.FCN	295.FCQ	295.FCS
GVW (kg)	3500	3500	3500	4250	4250	4250
Kerb weight (kg)	1755	1770	1770	1755	1770	1770
Model version	295.ACP	295.ACR	295.ACT	295.FCP	295.FCR	295.FCT
GVW (kg)	3500	3500	3500	4250	4250	4250
Kerb weight (kg)	1770	1770	1770	1770	1770	1770

WHEELBASE 3800 mm	MAXI CHASSIS CAB 35			MAXI CHASSIS CAB 40		
Engine Multijets (hp)	140	160	180	140	160	180
Model version	295.LCN	295.LCQ	295.LCS	295.PCN	295.PCQ	295.PCS
GVW (kg)	3500	3500	3500	4250	4250	4250
Kerb weight (kg)	1765	1780	1780	1765	1780	1780
Model version	295.LCP	295.LCR	295.LCT	295.PCP	295.PCR	295.PCT
GVW (kg)	3500	3500	3500	4250	4250	4250
Kerb weight (kg)	1780	1780	1780	1780	1780	1780

Note: Kerb weight is referred to standard version without optional equipment
[■] Linked to door mirrors opt. 042 – 2200 mm with opt. 036 – 2100 mm with standard door mirrors
[●] 2500 kg with OPT 057 (Oversized rear suspensions 2.500 kg)



DIMENSIONS mm	MAXI CHASSIS CAB 35			MAXI CHASSIS CAB 40		
A Wheelbase	4035	4035 XL	4035	4035 XL	4300	
L Maximum length	5943	6308	5943	6308	6208	
Maximum width	2050	2050	2050	2050	2050	
Front track	1810	1810	1810	1810	1810	
Rear track	1790	1790	1790	1790	1790	
H Maximum height (unladen)	2254	2254	2254	2254	2254	
Front overhang	948	948	948	948	948	
B Rear overhang	960	1325	960	1325	960	
M Chassis height (unladen)	650	650	650	650	650	
X Rear axle span at the level of the bodywork (finished trim overhang limit)	2400	2400	2400	2400	2400	
CA Rear cab span on rear axle	2645	2645	2645	2645	2910	
S Max. chassis width [■]	2350	2350	2350	2350	2350	
Z Max. length with outfit	7383	7383	7383	7383	7648	
Max. permitted weight on front axle (kg)	2100			2100		
Max. permitted weight on rear axle (kg)	2400 [●]			2400 [●]		

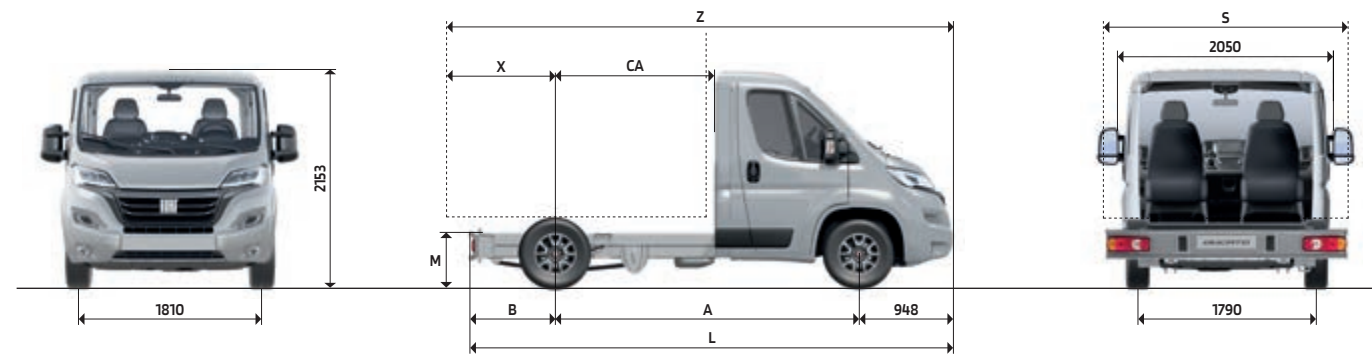
WHEELBASE 4035 MM	MAXI CHASSIS CAB 35			MAXI CHASSIS CAB 40		
Engine Multijets (hp)	140	160	180	140	160	180
Model version	295.BCN	295.BCQ	295.BCS	295.GCN **	295.GCQ	295.GCS
GVW (kg)	3500	3500	3500	4250	4250	4250
Kerb weight (kg)	1775	1790	1790	1775	1790	1790
Model version	295.BCP	295.BCR	295.BCT	295.GCP **	295.GCR	295.GCT
GVW (kg)	3500	3500	3500	4250	4250	4250
Kerb weight (kg)	1790	1790	1790	1790	1790	1790

WHEELBASE 4035 MM XL	MAXI CHASSIS CAB 35			MAXI CHASSIS CAB 40		
Engine Multijets (hp)	140	160	180	140	160	180
Model version	295.CCN	295.CCQ	295.CCS	295.HCN	295.HCQ	295.HCS
GVW (kg)	3500	3500	3500	4250	4250	4250
Kerb weight (kg)	1790	1805	1805	1790	1805	1805
Model version	295.CCP	295.CCR	295.CCT	295.HCP	295.HCR	295.HCT
GVW (kg)	3500	3500	3500	4250	4250	4250
Kerb weight (kg)	1805	1805	1805	1805	1805	1805

WHEELBASE 4300 MM	MAXI CHASSIS CAB 35			MAXI CHASSIS CAB 40		
Engine Multijets (hp)	140	160	180	140	160	180
Model version	295.TCN	295.TCQ	295.TCS	295.UCN	295.UCQ	295.UCS
GVW (kg)	3500	3500	3500	4250	4250	4250
Kerb weight (kg)	1795	1810	1810	1795	1810	1810
Model version	295.TCP	295.TCR	295.TCT	295.UCP	295.UCR	295.UCT
GVW (kg)	3500	3500	3500	4250	4250	4250
Kerb weight (kg)	1810	1810	1810	1810	1810	1810

Note: Kerb weight is referred to standard version without optional equipment
[■] Linked to door mirrors opt. 042 – 2200 mm with opt. 036 – 2100 mm with standard door mirrors
[●] 2500 kg with OPT 057 (Oversized rear suspensions 2.500 kg)

CHASSIS CAB WITH PLATFORM



DIMENSIONS mm	CHASSIS CAB WITH PLATFORM 33				CHASSIS CAB WITH PLATFORM 35			
A Wheelbase	3000	3450	4035	3000	3450	4035	4035 XL	
L Maximum length	4908	5358	5943	4908	5358	5943	6308	
Maximum width	2050	2050	2050	2050	2050	2050	2050	
Front track	1810	1810	1810	1810	1810	1810	1810	
Rear track	1790	1790	1790	1790	1790	1790	1790	
H Maximum height (unladen)	2153	2153	2153	2153	2153	2153	2153	
Front overhang	948	948	948	948	948	948	948	
B Rear overhang	960	960	960	960	960	960	1325	
M Chassis height (unladen)	540	540	540	540	540	540	540	
X Rear axle span at the level of the bodywork (finished trim overhang limit)	1800	2070	2400	1800	2070	2400	2400	
CA Rear cab span on rear axle	1610	2060	2645	1610	2060	2645	2645	
S Max. chassis width [■]	2350	2350	2350	2350	2350	2350	2350	
Z Max. length with outfit	5748	6468	7383	5748	6468	7383	7383	
Max. permitted weight on front axle (kg)	1750			1850				
Max. permitted weight on rear axle (kg)	1900			2000				

WHEELBASE 3000 mm	CHASSIS CAB WITH PLATFORM 33			CHASSIS CAB WITH PLATFORM 35			
Engine Multijets (hp)	120	140	140	120	140	160	180
Model version	290.4CM + OPT 292	290.4CN + OPT 292	290.9CM + OPT 292	290.9CN + OPT 292	290.9CQ + OPT 292	290.9CS + OPT 292	290.9CS + OPT 292
GVW (kg)	3300	3300	3500	3500	3500	3500	3500
Kerb weight (kg)	1675	1675	1675	1675	1690	1690	1690
Model version		290.4CP + OPT 292		290.9CP + OPT 292	290.9CR + OPT 292	290.9CT + OPT 292	290.9CT + OPT 292
GVW (kg)		3300		3500	3500	3500	3500
Kerb weight (kg)		1730		1730	1730	1730	1730

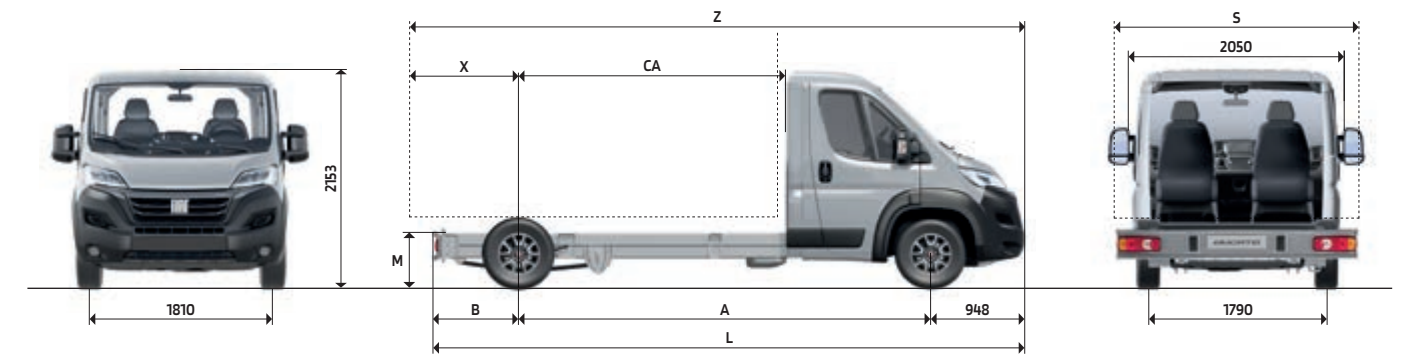
WHEELBASE 3450 mm	CHASSIS CAB WITH PLATFORM 33			CHASSIS CAB WITH PLATFORM 35			
Engine Multijets (hp)	120	140	140	120	140	160	180
Model version	290.5CM + OPT 292	290.5CN + OPT 292	290.9CM + OPT 292	290.9CN + OPT 292	290.9CQ + OPT 292	290.9CS + OPT 292	290.9CS + OPT 292
GVW (kg)	3300	3300	3500	3500	3500	3500	3500
Kerb weight (kg)	1695	1695	1695	1695	1710	1710	1710
Model version		290.5CP + OPT 292		290.9CP + OPT 292	290.9CR + OPT 292	290.9CT + OPT 292	290.9CT + OPT 292
GVW (kg)		3300		3500	3500	3500	3500
Kerb weight (kg)		1750		1750	1750	1750	1750

WHEELBASE 4035 mm	CHASSIS CAB WITH PLATFORM 33			CHASSIS CAB WITH PLATFORM 35			
Engine Multijets (hp)	120	140	140	120	140	160	180
Model version	290.6CM + OPT 292	290.6CN + OPT 292	290.9CM + OPT 292	290.9CN + OPT 292	290.9CQ + OPT 292	290.9CS + OPT 292	290.9CS + OPT 292
GVW (kg)	3300	3300	3500	3500	3500	3500	3500
Kerb weight (kg)	1710	1710	1710	1710	1725	1725	1725
Model version		290.6CP + OPT 292		290.9CP + OPT 292	290.9CR + OPT 292	290.9CT + OPT 292	290.9CT + OPT 292
GVW (kg)		3300		3500	3500	3500	3500
Kerb weight (kg)		1765		1765	1765	1765	1765

WHEELBASE 4035 mm XL	CHASSIS CAB WITH PLATFORM 35			
Engine Multijets (hp)	120	140	160	180
Model version	290.CCM + OPT 292	290.CCN + OPT 292	290.CCQ + OPT 292	290.CCS + OPT 292
GVW (kg)	3500	3500	3500	3500
Kerb weight (kg)	1725	1725	1740	1740
Model version		290.CCP + OPT 292	290.CCR + OPT 292	290.CCT + OPT 292
GVW (kg)		3500	3500	3500
Kerb weight (kg)		1780	1780	1780

Note: Kerb weight is referred to standard version without optional equipment
 ■ Linked to door mirrors opt. 042 - 2200 mm with opt. 036 - 2100 mm with standard door mirrors

MAXI CHASSIS CAB WITH PLATFORM



DIMENSIONS mm	MAXI CHASSIS CAB WITH PLATFORM 35				MAXI CHASSIS CAB WITH PLATFORM 40		
A Wheelbase	3000	3450	4035	4035 XL	3450	4035	4035 XL
L Maximum length	4908	5358	5943	6308	5358	5943	6308
Maximum width	2050	2050	2050	2050	2050	2050	2050
Front track	1810	1810	1810	1810	1810	1810	1810
Rear track	1790	1790	1790	1790	1790	1790	1790
H Maximum height (unladen)	2153	2153	2153	2153	2153	2153	2153
Front overhang	948	948	948	948	948	948	948
B Rear overhang	960	960	960	1325	960	960	1325
M Chassis height (unladen)	540	545	548	521	545	548	521
X Rear axle span at the level of the bodywork (finished trim overhang limit)	1800	2070	2400	2400	2070	2400	2400
CA Rear cab span on rear axle	1610	2060	2645	2645	2060	2645	2645
S Max. chassis width [■]	2350	2350	2350	2350	2350	2350	2350
Z Max. length with outfit	5748	6468	7383	7383	6468	7383	7383
Max. permitted weight on front axle (kg)	5748				6468		
Max. permitted weight on rear axle (kg)	2400 [●]				2400 [●]		

WHEELBASE 3000 mm	MAXI CHASSIS CAB WITH PLATFORM 35		
Engine Multijets (hp)	140	160	180
Model version	295.9CN + OPT 292	295.9CQ + OPT 292	295.9CS + OPT 292
GVW (kg)	3500	3500	3500
Kerb weight (kg)	1715	1730	1730
Model version	295.9CP + OPT 292	295.9CR + OPT 292	295.9CT + OPT 292
GVW (kg)	3500	3500	3500
Kerb weight (kg)	1730	1730	1730

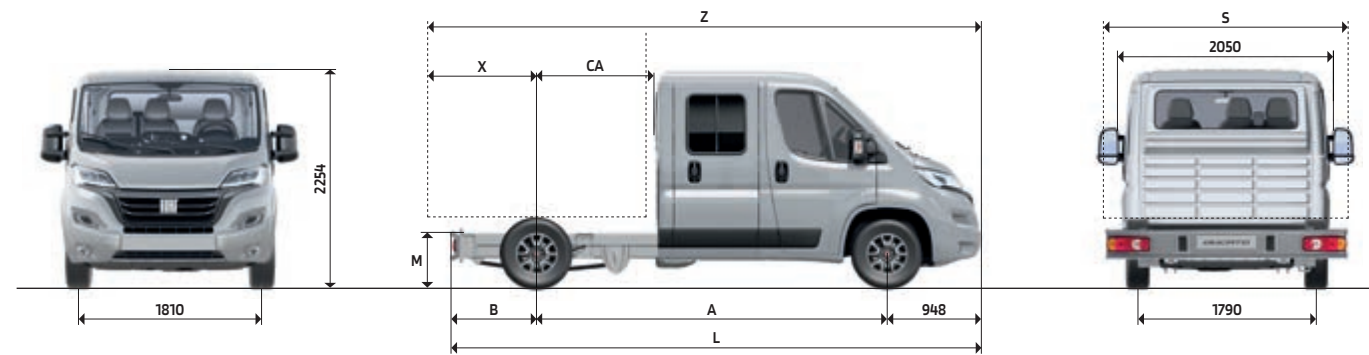
WHEELBASE 3450 mm	MAXI CHASSIS CAB WITH PLATFORM 35			MAXI CHASSIS CAB WITH PLATFORM 40		
Engine Multijets (hp)	140	160	180	140	160	180
Model version	295.9CN + OPT 292	295.9CQ + OPT 292	295.9CS + OPT 292	295.9CN + OPT 292	295.9CQ + OPT 292	295.9CS + OPT 292
GVW (kg)	3500	3500	3500	4250	4250	4250
Kerb weight (kg)	1735	1750	1750	1735	1750	1750
Model version	295.9CP + OPT 292	295.9CR + OPT 292	295.9CT + OPT 292	295.9CP + OPT 292	295.9CR + OPT 292	295.9CT + OPT 292
GVW (kg)	3500	3500	3500	4250	4250	4250
Kerb weight (kg)	1750	1750	1750	1750	1750	1750

WHEELBASE 4035 mm	MAXI CHASSIS CAB WITH PLATFORM 35			MAXI CHASSIS CAB 40		
Engine Multijets (hp)	140	160	180	140	160	180
Model version	295.9CN + OPT 292	295.9CQ + OPT 292	295.9CS + OPT 292	295.9CN + OPT 292	295.9CQ + OPT 292	295.9CS + OPT 292
GVW (kg)	3500	3500	3500	4250	4250	4250
Kerb weight (kg)	1750	1765	1765	1750	1765	1765
Model version	295.9CP + OPT 292	295.9CR + OPT 292	295.9CT + OPT 292	295.9CP + OPT 292	295.9CR + OPT 292	295.9CT + OPT 292
GVW (kg)	3500	3500	3500	4250	4250	4250
Kerb weight (kg)	1765	1765	1765	1765	1765	1765

WHEELBASE 4035 mm XL	MAXI CHASSIS CAB WITH PLATFORM 35			MAXI CHASSIS CAB 40		
Engine Multijets (hp)	140	160	180	140	160	180
Model version	295.9CN + OPT 292	295.9CQ + OPT 292	295.9CS + OPT 292	295.9CN + OPT 292	295.9CQ + OPT 292	295.9CS + OPT 292
GVW (kg)	3500	3500	3500	4250	4250	4250
Kerb weight (kg)	1765	1780	1780	1765	1780	1780
Model version	295.9CP + OPT 292	295.9CR + OPT 292	295.9CT + OPT 292	295.9CP + OPT 292	295.9CR + OPT 292	295.9CT + OPT 292
GVW (kg)	3500	3500	3500	4250	4250	4250
Kerb weight (kg)	1780	1780	1780	1780	1780	1780

Note: Kerb weight is referred to standard version without optional equipment
 ■ Linked to door mirrors opt. 042 - 2200 mm with opt. 036 - 2100 mm with standard door mirrors
 ● 2500 kg with OPT 057 (Oversized rear suspensions 2.500 kg)

CHASSIS CREW CAB



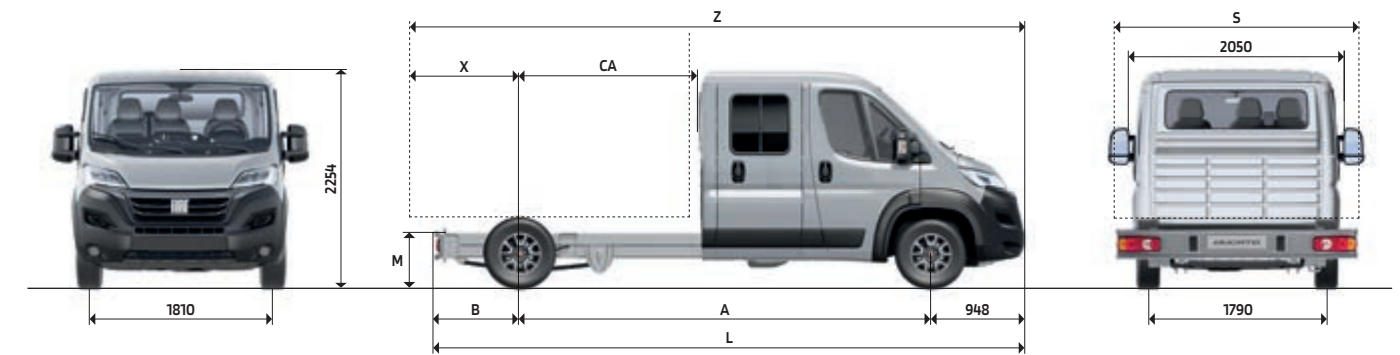
DIMENSIONS mm	CHASSIS CREW CAB 33		CHASSIS CREW CAB 35	
A Wheelbase	3450	4035	3450	4035
L Maximum length	5358	5943	5358	5943
Maximum width	2050	2050	2050	2050
Front track	1810	1810	1810	1810
Rear track	1790	1790	1790	1790
H Maximum height (unladen)	2254	2254	2254	2254
Front overhang	948	948	948	948
B Rear overhang	960	960	960	960
M Chassis height (unladen)	719	719	719	719
X Rear axle span at the level of the bodywork (finished trim overhang limit)	2070	2400	2070	2400
CA Rear cab span on rear axle	1190	1774	1190	1774
S Max. chassis width [■]	2350	2350	2350	2350
Z Max. length with outfit	6468	7383	6468	7383
Max. permitted weight on front axle (kg)	1750		1850	
Max. permitted weight on rear axle (kg)	1900		2000	

WHEELBASE 3450 mm	CHASSIS CREW CAB 33		CHASSIS CREW CAB 35			
Engine Multijets (hp)	120	140	120	140	160	180
Model version	290.5DM	290.5DN	290.ADM	290.ADN	290.ADQ	290.ADS
GVW (kg)	3300	3300	3500	3500	3500	3500
Kerb weight (kg)	1920	1920	1920	1935	1935	1935
Model version		290.5DP		290.ADP	290.ADR	290.ADT
GVW (kg)		3300		3500	3500	3500
Kerb weight (kg)		1975		1975	1975	1975

WHEELBASE 4035 mm	CHASSIS CREW CAB 33		CHASSIS CREW CAB 35			
Engine Multijets (hp)	120	140	120	140	160	180
Model version	290.6DM	290.6DN	290.BDM	290.BDN	290.BDQ	290.BDS
GVW (kg)	3300	3300	3500	3500	3500	3500
Kerb weight (kg)	1950	1950	1950	1965	1965	1965
Model version		290.6DP		290.BDP	290.BDR	290.BDT
GVW (kg)		3300		3500	3500	3500
Kerb weight (kg)		2005		2005	2005	2005

Note: Kerb weight is referred to standard version without optional equipment
 ■ Linked to door mirrors opt. 042 – 2200 mm with opt. 036 – 2100 mm with standard door mirrors

MAXI CHASSIS CREW CAB



DIMENSIONS mm	MAXI CHASSIS CREW CAB 35			MAXI CHASSIS CREW CAB 40		
A Wheelbase	3450	4035	4035 XL	3450	4035	4035 XL
L Maximum length	5358	5943	6308	5358	5943	6308
Maximum width	2050	2050	2050	2050	2050	2050
Front track	1810	1810	1810	1810	1810	1810
Rear track	1790	1790	1790	1790	1790	1790
H Maximum height (unladen)	2254	2254	2254	2254	2254	2254
Front overhang	948	948	948	948	948	948
B Rear overhang	960	960	1325	960	960	1325
M Chassis height (unladen)	719	719	719	719	719	719
X Rear axle span at the level of the bodywork (finished trim overhang limit)	2070	2400	2400	2070	2400	2400
CA Rear cab span on rear axle	1190	1774	1774	1190	1774	1774
S Max. chassis width [■]	2350	2350	2350	2350	2350	2350
Z Max. length with outfit	6468	7383	7383	6468	7383	7383
Max. permitted weight on front axle (kg)	2100			2100		
Max. permitted weight on rear axle (kg)	2400 [●]			2400 [●]		

WHEELBASE 3450 mm	MAXI CHASSIS CREW CAB 35			MAXI CHASSIS CREW CAB 40		
Engine Multijets (hp)	140	160	180	140	160	180
Model version	295.ADN	295.ADQ	295.ADS	295.FDN	295.FDQ	295.FDS
GVW (kg)	3500	3500	3500	4250	4250	4250
Kerb weight (kg)	1960	1975	1975	1960	1975	1975
Model version	295.ADP	295.ADR	295.ADT	295.FDP	295.FDR	295.FDT
GVW (kg)	3500	3500	3500	4250	4250	4250
Kerb weight (kg)	1975	1975	1975	1975	1975	1975

WHEELBASE 4035 mm	MAXI CHASSIS CREW CAB 35			MAXI CHASSIS CREW CAB 40		
Engine Multijets (hp)	140	160	180	140	160	180
Model version	295.BDN	295.BDQ	295.BDS	295.GDN	295.GDQ	295.GDS
GVW (kg)	3500	3500	3500	4250	4250	4250
Kerb weight (kg)	1990	2005	2005	1990	2005	2005
Model version	295.BDP	295.BDR	295.BDT	295.GDP	295.GDR	295.GDT
GVW (kg)	3500	3500	3500	4250	4250	4250
Kerb weight (kg)	2005	2005	2005	2005	2005	2005

WHEELBASE 4035 mm XL	MAXI CHASSIS CREW CAB 35			MAXI CHASSIS CREW CAB 40		
Engine Multijets (hp)	140	160	180	140	160	180
Model version	295.CDN	295.CDQ	295.CDS	295.HDN	295.HDQ	295.HDS
GVW (kg)	3500	3500	3500	4250	4250	4250
Kerb weight (kg)	2010	2025	2025	2010	2025	2025
Model version	295.CDP	295.CDR	295.CDT	295.HDP	295.HDR	295.HDT
GVW (kg)	3500	3500	3500	4250	4250	4250
Kerb weight (kg)	2025	2025	2025	2025	2025	2025

Note: Kerb weight is referred to standard version without optional equipment
 ■ Linked to door mirrors opt. 042 – 2200 mm with opt. 036 – 2100 mm with standard door mirrors
 ● 2500 kg with OPT 057 (Oversized rear suspensions 2.500 kg)

SERVICES

VEHICLE WARRANTY

With your new Fiat Professional commercial vehicle comes a 24-month warranty starting from the delivery date and without mileage limits. The warranty covers factory defects which will be repaired free of charge and using original or reconditioned parts.

Operations under warranty are carried out by Dealerships and include:

- repair or replacement of the faulty part;
- labour for replacement or repair operations;
- supply of consumables needed to carry out the repairs under Warranty.

During the period of Warranty you can benefit of the advantages of roadside assistance.

Warranty on paint work

The vehicle is covered against factory defects regarding paint work for 36 months starting from the delivery date. The warranty includes the complete or partial repainting of the vehicle, in order to remove the fault determined according to the Manufacturer's standard conditions.

Anti-perforation warranty

Structural elements of the body are covered against perforation due to corrosion, as long as this takes place from the inside outwards. The warranty includes the repair and/or replacement of any original structural element of the body perforated by corrosion, and is valid for a period of 8 years starting from the delivery date.

We recommend that you check the specific coverage conditions in your warranty booklet.

CIAO FIAT CUSTOMER SERVICE

You can call Fiat Professional free of charge on 0080034280000* from anywhere in Europe. We are at your disposal to provide roadside assistance 365 days a year, 24 hours a day. If you contact the Fiat Customer Service, you can also request information about our models, services and Dealership Network. You can also book a test drive of any vehicle you like. Whatever you need, we're here for you.

* Check the cost with your operator beforehand when calling from abroad or from a mobile network.



SPECIAL SALES PROGRAMMES

Customised mobility solutions? Autonomy is aimed at people with reduced motor abilities and proposes specific trim levels for passenger transport vehicles, roadside assistance and financial services. It also offers comprehensive assistance in obtaining a special driving licence from Mobility Centres. Call the free-phone number 800-838333 to obtain full and complete information based on your needs.



MY FIAT PROFESSIONAL

Take care of your Fiat Professional with a click! Register on my Fiat Professional. You'll get personalised advice, dedicated tools and exclusive promotions. Go to my.fiatprofessional.com.

my Fiat Professional



FINANCIAL AND INSURANCE SERVICES*

Find out how to get your new Ducato with FCA BANK's innovative finance solutions. Whether you're a retail customer, a self-employed professional or an entrepreneur, FCA BANK offers you the best and most flexible financial instruments to assist your imminent purchase of a new Ducato and drive in complete freedom. With FCA BANK you can combine high-added-value services tailor-made to meet your every requirement. For more information, visit www.fcabank.it

However you choose to experience mobility, FCA BANK satisfies your needs with financial and leasing packages combined with exclusive services.

Instalment The classic instalment finance that allows you to spread the payment of all or part of your new vehicle for a period ranging from 12 to 72 months or part of your used vehicle for a period ranging from 12 to 60 months.

Leasing If you are a freelancer, self-employed or an entrepreneur, this solution allows you to use the vehicle without tying up capital. You can choose the duration of the contract (up to 60 months) as well as the down payment sum, and enjoy a flexible final cash surrender value.

In addition to financing plans, FCA BANK offers a complete range of services designed to protect you from unexpected events: **indelible marking** on key vehicle components as a maximum deterrent against theft, the special **Fire&Theft, Collision** (protection against collisions with other vehicles), **Kasko (fully comprehensive insurance)** and **Prestito Protetto** protected loan (e.g. instalment repayment if you lose your job) policies and three types of **StradaFacendo** Warranty with different coverage for keeping your vehicle in shape.

* Within the limits laid down by policy conditions and save the exclusions indicated. For more information, call the Contact Centre 199.818.203 (from Monday to Friday from 9 a.m. to 5 p.m.) or visit the www.fcabank.it website.



LEASYS MOBILITY SOLUTION

LEASYS offers customized mobility solutions for drive your new Ducato without its ownership. Long term hire is the perfect solution for companies and tradespeople that want to exploit and enjoy all the advantages of their new vehicle, without its ownership and the related obligations. Long-term hire offers a number of tangible advantages:

- **No initial investment** to purchase the vehicle
- **No unexpected costs**, the fixed rate is defined according to the duration of the contract, the estimated mileage and any additional services. Standard and non-standard maintenance costs are included
- **No risk of depreciation**, at the end of the contract, the vehicle is simple returned, thus eliminating the worry of selling a used vehicle
- **No waste of time**, mobility is always guaranteed.

For information contact your Dealership or visit the www.leasys.com website or call the free-phone number 800334422



MOPAR® VEHICLE PROTECTION

MOPAR, VEHICLE PROTECTION offers a number of service agreements specially designed to ensure all its customers the pleasure of driving their cars worry-free and without anyunwelcome surprises. Our product portfolio consists of a wide and flexible range of extended warranties and service plans authorised by Alfa Romeo. Every agreement adapts to the customer's driving requirements, with different solutions that vary in duration and mileage. Only with Mopar, Vehicle Protection can you be sure that all servicing will be performed by highly qualified and specialised professionals at authorised Fiat Professional repair workshops throughout Europe, where only genuine spare parts will be used. Choose the Service Agreement that best fits your driving requirements.

MAXIMUM CARE: ZERO WORRIES WHEREVER YOU ARE

Make sure you travel safely with the extended warranty covering the mechanical and electrical components of your vehicle, in addition to the manufacturer's contractual 2-year warranty valid in Italy and abroad. The widest offer that fits the customer's needs, with solutions varying in terms of duration and mileage, with up to 200,000 km and 3 years in addition to the contractual 2-year warranty.

EASY CARE: MAINTENANCE AT BLOCKED PRICES

The scheduled maintenance plan designed to ensure you have a fixed price on the servicing necessary to take care of your vehicle so it is always kept in perfect running order. Up to 5 years of coverage, with varying solutions in terms of duration and mileage. Lengthen the lifetime of your vehicle by making sure you carry out all the scheduled servicing necessary to ensure the best performance, as always.

* The Mopar, Vehicle Protection assistance contracts can be signed directly when you purchase a new vehicle and be included (if you like) in the FCA Bank financial offer. EASY CARE can be signed at any time before the first scheduled servicing, while MAXIMUM CARE can be signed within 24 months from the date of vehicle registration.

